

Long Haul Cable Solution

Long haul cables connect two distant devices. To enable machine vision more widely adapted to the on-site conditions.

Long Haul Cables Apply Widely in Different Scenarios

- ▶ Machine vision detection equipment setting for automatic factory
- ▶ Centralized control room
- ▶ Big size monitor / parts inspection
- ▶ Hawk-eye in large sports field
- ▶ Handheld device for bug size parts inspection
- ▶ Large smart agricultural machinery
- ▶ Sites require customized long distance cable setting



YCE Provides a Complete Range of Long Haul Cables for Devices with Different Interfaces



1. GigE 、CoaXpress Cables

In general, high-quality GigE or CoaXpress cables can support long haul solutions. YCE GigE solution is up 80 meters, CXP-6 is up to 40 meters, and CXP-12 is up to 30 meters.

2. USB Active Cable: ACC, AOC

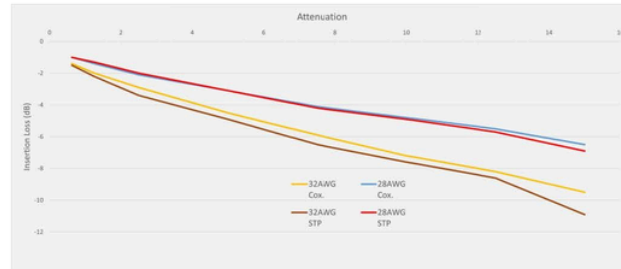
USB cables optimize the signal through repeater to extend the transmission distance. YCE USB ACC is up to 15 meters, USB AOC is up to 30 meters.

more information please refer to:
www.ycelect.com

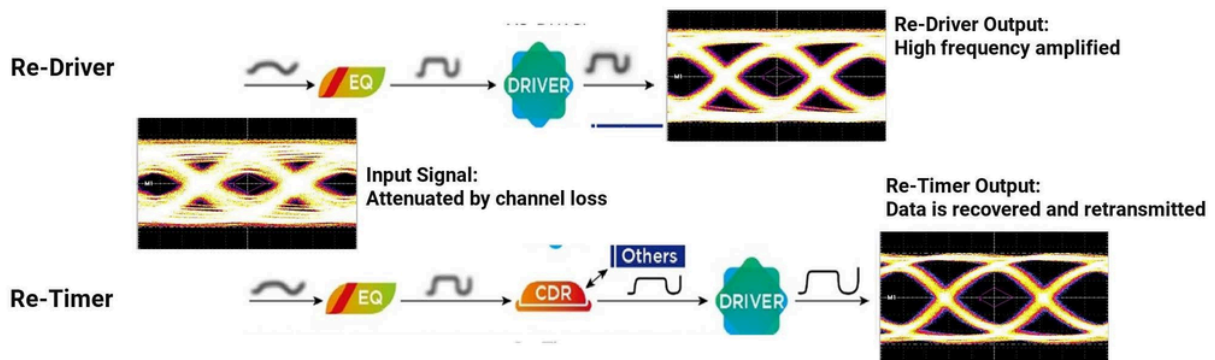
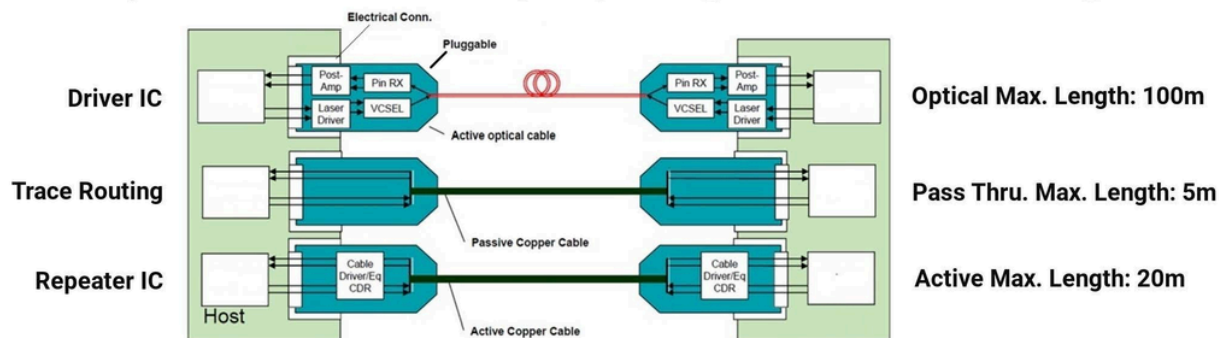
Long Haul Cable Solution

Principles for Long Haul Cable Solution

1. Conductor's gauge and cable structure affect the signal attenuation degree



2. Chip architecture affects the quality of long distance transmission signal



YCE Long Haul Cables Advantages

- ▶ Complete range of product lines for one-stop solution.
- ▶ Our R&D team has capability to design circuit boards and provides customized solutions.
- ▶ Products can be applied in industrial environment.
- ▶ Cables transmission is stable and does not attenuate due to length.
- ▶ All products are 100% tested before shipment to provide guaranteed quality.

more information please refer to:
www.ycelect.com